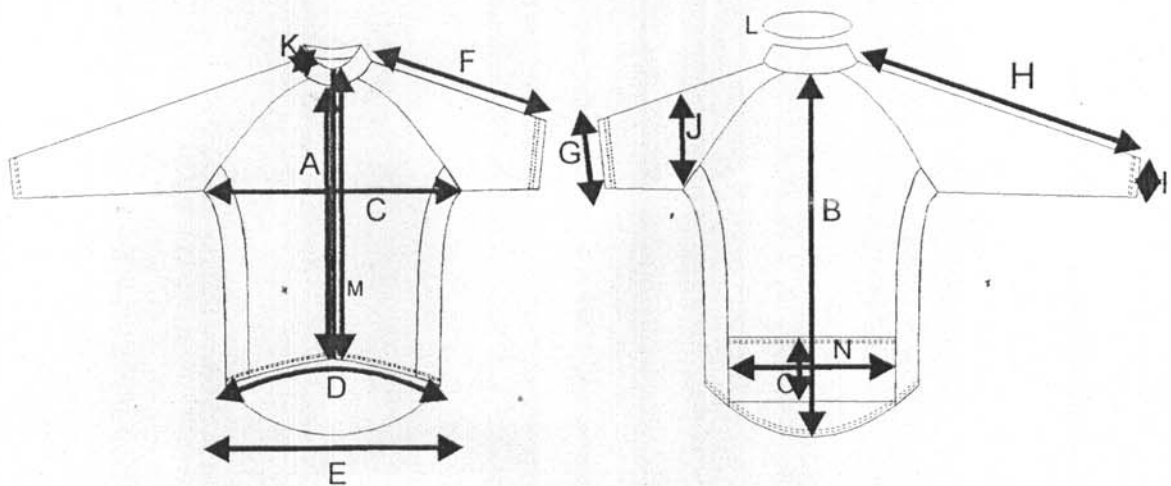


CHILDRENS CYCLING JERSEYS

23. 07. 2010

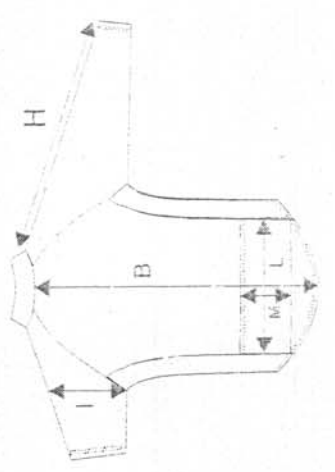
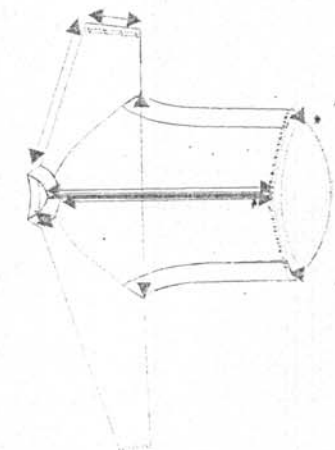
Size		S/J	M/J	L/J	XL/J
Approx chest size		26/28"	28/30"	30/32"	32/34"
Approx Years		6 - 7	8 - 9	10 - 11	12 - 13
Body Length Front	A	16	17	18	19
Body Length Back	B	18	19	21	23
Body Width	C	14	15	16	17
Hem Width relax	D	11	12	13	14
Hem Width (Stretched)	E	14	15	16	17
Short Sleeve Length Side neck to hem	F	9	9 ½	10	10 ½
Short Sleeve Opening	G	4 ¼	4 ¼	4 ½	4 ½
Long Slve Length	H	22 ½	23 ½	25 ½	27 ½
" " Cuff Opening	I	6	6 ¼	6 ½	6 ¾
Armhole Depth	J	5 ¼	5 ½	6	6 ½
Collar Height	K	1 ¼	1 ¼	1 ¼	1 ¼
Collar Length	L	12	13	14	15
Front Zip length	M	11 ½	11 ½	12	12
Back pocket top width	N	9	9 ½	10	10 ½
Back pocket depth	O	4	4 ½	5	5 ½



cycle

Men's race cycle jersey

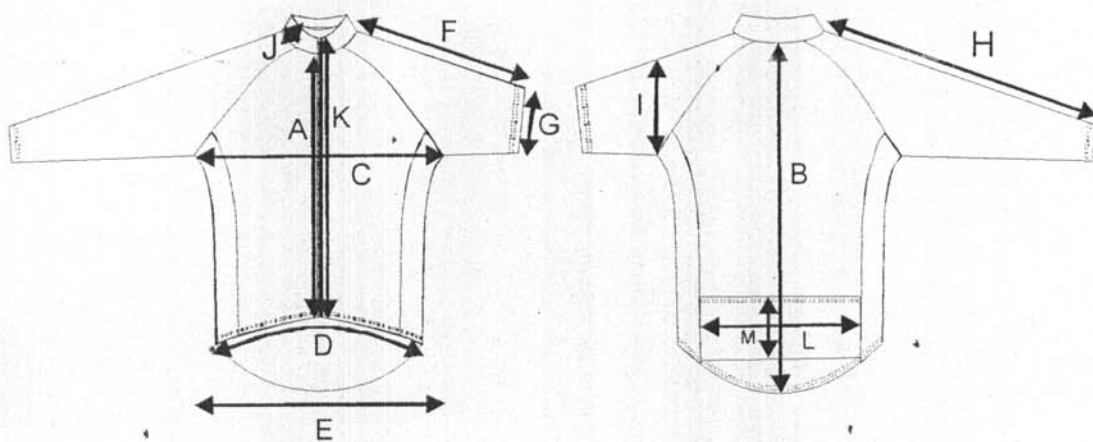
Size	X/S	S	M	L	X/L	2X/L	3X/L	4X/L	5X/L	6X/L	7X/L
Body Length Front A	20	21	22	23	24	25	26	26	27	27	27
Body Length Back B	24	25	26	27	28	29	30	30	31	31	31
Body Width C	17 1/2	18 1/2	19 1/2	20 1/2	21 1/2	22 1/2	23 1/2	24 1/2	25 1/2	26 1/2	27 1/2
Hem Width relaxD	14 1/2	15 1/2	16 1/2	17 1/2	18 1/2	19 1/2	20 1/2	21 1/2	22 1/2	23 1/2	24 1/2
Hem Width (Stretched) E	17 1/2	18 1/2	19 1/2	20 1/2	21 1/2	22 1/2	23 1/2	24 1/2	25 1/2	26 1/2	27 1/2
Short Slve Length F	11 1/2	12	12 1/2	13	13 1/2	14	14 1/2	15	15 1/2	16	16 1/2
Short Slve Opening G	9	9 1/2	10	10 1/2	11	11 1/2	12	12 1/2	13	13 1/2	14
Long Slve Length H	28 1/2	29	29 1/2	30	30 1/2	31	31 1/2	31 1/2	32	32	32
Armhole Depth I	8 1/2	8 1/2	8 1/2	9	9	9	9 1/2	9 1/2	10	10	10
Collar Stand J	1 1/2	1 1/2	1 1/2	1 1/2	1 1/2	1 1/2	1 1/2	1 1/2	1 1/2	1 1/2	1 1/2
Front Opening Zip K	14	14	14	14	14	14	14	14	14	14	14
Back pocket top width L	12 1/2	13 1/2	14 1/2	15 1/2	16 1/2	17 1/2	18 1/2	19 1/2	20 1/2	21 1/2	22 1/2
Back pocket depth M	7	7	7	7	7	7	7	7	7	7	7



MENS SPORTS CUT CYCLING JERSEY

19.08.2010

Size	X/S	S	M	L	X/L	2X/L	3X/L	4X/L
Body Length Front A	21 ½	22 ½	23 ½	24 ½	25 ½	26 ½	27 ½	27 ½
Body Length Back B	25 ½	26 ½	27 ½	28 ½	29 ½	30 ½	31 ½	31 ½
Body Width C	17 ½	18 ½	19 ½	20 ½	21 ½	22 ½	23 ½	24 ½
Hem Width relax D	14 ½	15 ½	16 ½	17 ½	18 ½	19 ½	20 ½	21 ½
Hem Width (Stretched) E	17 ½	18 ½	19 ½	20 ½	21 ½	22 ½	23 ½	24 ½
Short Sleeve Length F	13 ½	14	14 ½	15	15 ½	16	16 ½	17
Short Sleeve Opening G	10	10 ½	11	11 ½	12	12 ½	13	13 ½
Long Sleeve Length H	29 ½	30	30 ½	31	31 ½	32	32 ½	32 ½
Armhole Depth I	7 ½	7 ¾	8	8 ¼	8 ½	8 ¾	9	9 ¼
Collar Stand J	1 ½	1 ½	1 ½	1 ½	1 ½	1 ½	1 ½	1 ½
Front Opening Zip K	14	14	14	14	14	14	14	14
Back pocket top width L	10 ½	11 ½	12 ½	13 ½	14 ½	15 ½	16 ½	17 ½
Back pocket depth M	7	7	7	7	7	7	7	7



19/08/2010